

# TURBO-TOEST

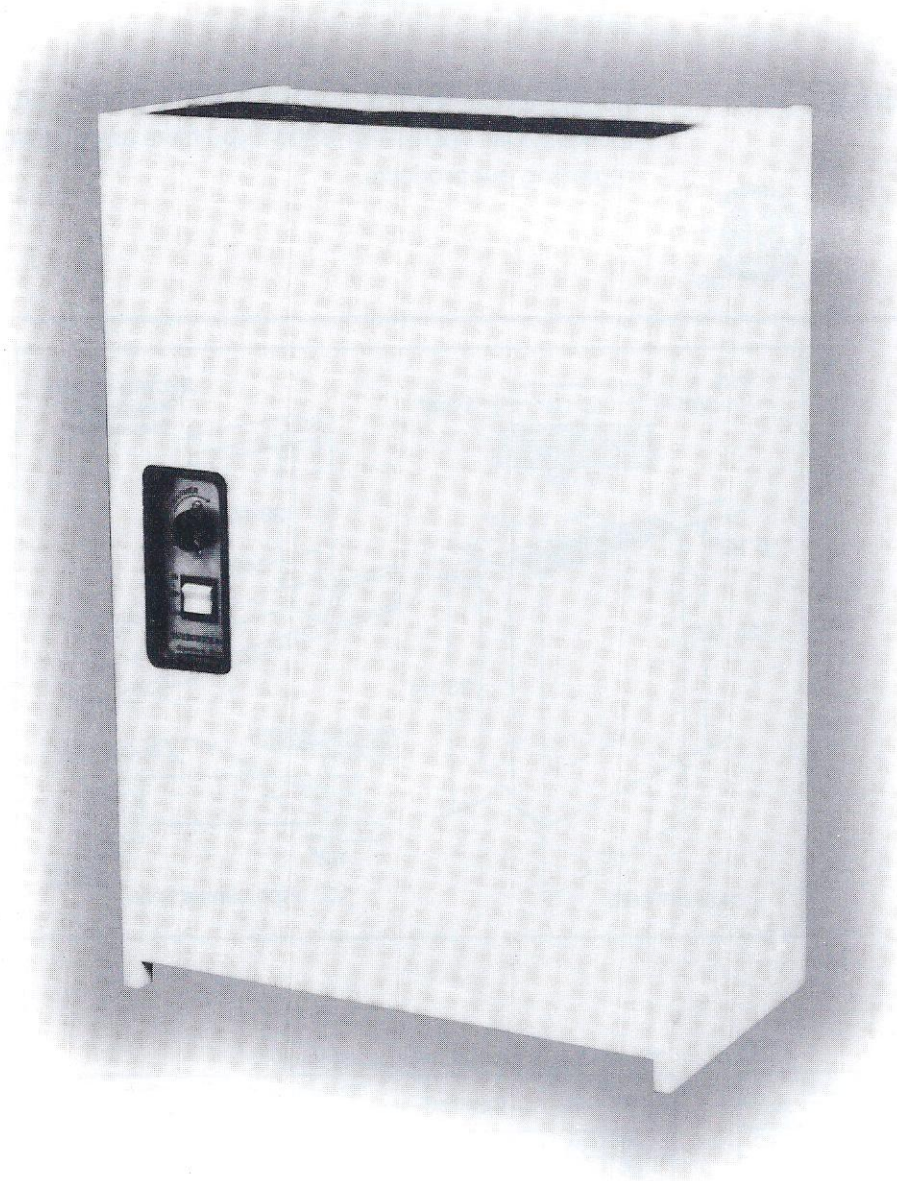
## Hydronic Fan Coil

MODEL TT140

UNIT HEATERS

MODEL TT210

*Designer Solution. . . . .*



If you have a Boiler, a Heat Pump or a Solar System. . . . .

The Turbo-Toest offers an attractive solution that delivers up to 16,000 BTU's.

**Turbonics** INC.

4001 PEARL ROAD  
CLEVELAND, OHIO 44109  
PHONE (216) 741-8300  
FAX (216) 741-7768



INNOVATION IS AN AMERICAN TRADITION



# TURBO-TOEST 140 / TURBO-TOEST 210

The Turbo-Toests are wall mounted hydronic fan coils. These attractive units are beautifully designed to provide quick, safe, quiet warmth to any area. The Turbo-Toests compact size minimizes their intrusion into a room. If you have a boiler, heat pump, or hot water tank the simple designer solution is the Turbo-Toest 140 or Turbo-Toest 210.

## Turbo - Toest Features

**HIGH BTU OUTPUT** - The Turbo-Toest cores come in a 32 and 24 pass configuration, which provides for exceptionally good heat transfer.

**QUIET OPERATION** - Transflow fan blades gently move air through these units.

**FILTERED AIR** - Fan coil stays cleaner, and room air stays warmer.

**EASY TO INSTALL** - Recessed unit fits between the studs. Easy access to pipes.

**BUILT TO LAST** - Stay brite solder at all pipe joints. Rugged 30 gauge galvanized and coated steel chassis.

**NEUTRAL COLOR** - Almond white cover blends with almost any decor.

**BUILT-IN-THERMOSTAT** - Regulates maximum output of the unit.

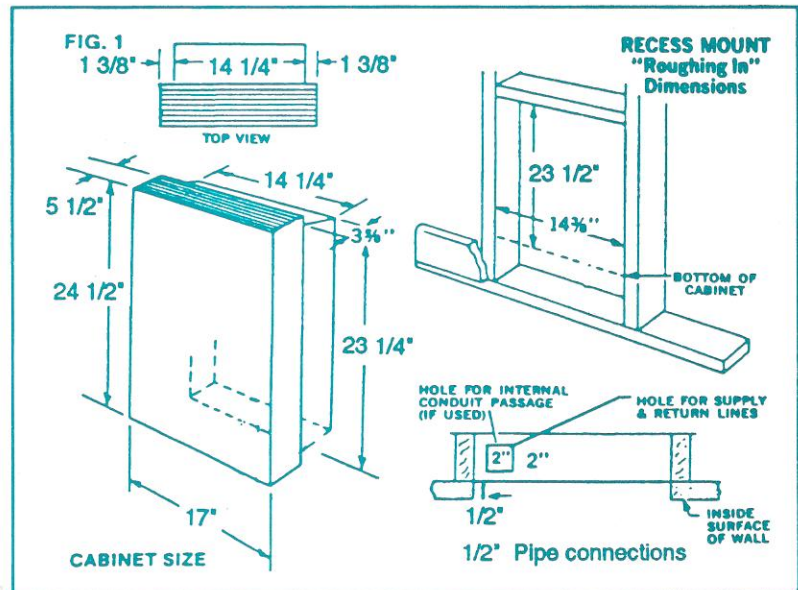
**RELIABILITY & CUSTOMER SERVICE** - The best in the industry. Call 1(216)-741-8300 if you have any questions regarding our products.

MADE IN THE U.S.A.



Turbo - Toest Surface Mount

**Rating Data @ 2 G.P.M.  
65 Degree Entering Air**



Turbo - Toest 140 BTU Output per Hour

AMPS	CFM	Fan Control	Entering Water Temperature				
			120°	140°	160°	180°	200° 220°
.46	90	Low	4500	6300	8400	10300	12200 13700
.70	130	High	5800	8100	10200	11900	13500 15300

Turbo - Toest 210 BTU Output per Hour

AMPS	CFM	Fan Control	Entering Water Temperature				
			120°	140°	160°	180°	200° 220°
.60	105	Low	5600	7500	9800	12500	15100 17400
.95	145	High	7200	9100	12100	15000	17200 20100

**TURBONICS** INC.

4001 Pearl Road, Cleveland, Ohio 44109  
Phone: 216 / 741-8300 FAX: 216 / 741-7768